

Product

Pre-feeder and Palletizer Introduction



www.gdtaiyi.cn

Guang Dong Tai Yi Precision Machinery Co.,Ltd

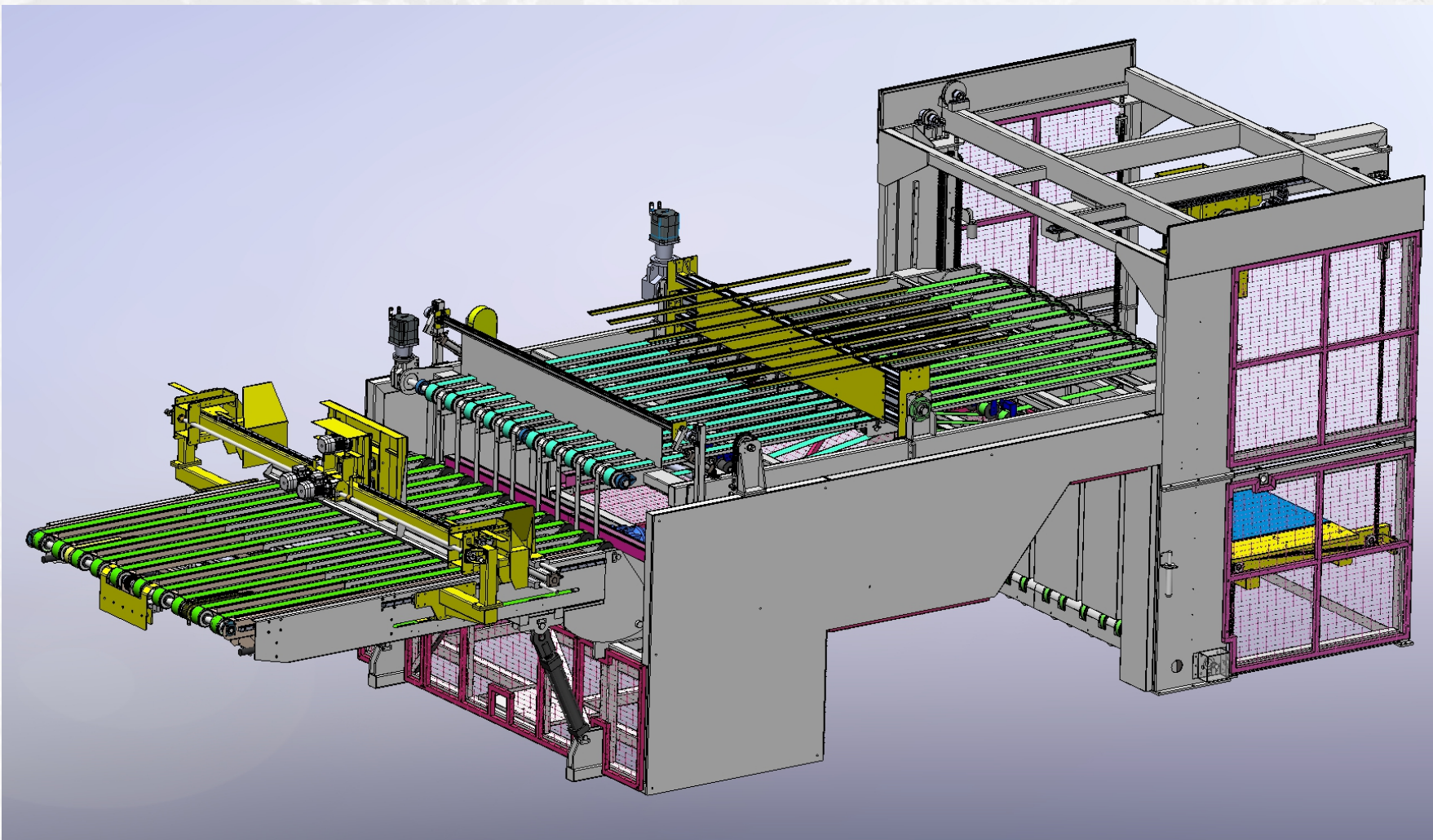
CONTENTS

- 01
- 02
-
-
-
-

-
- 1. Pre-feeder**
- 2. Palletizer**
-
-
-
-



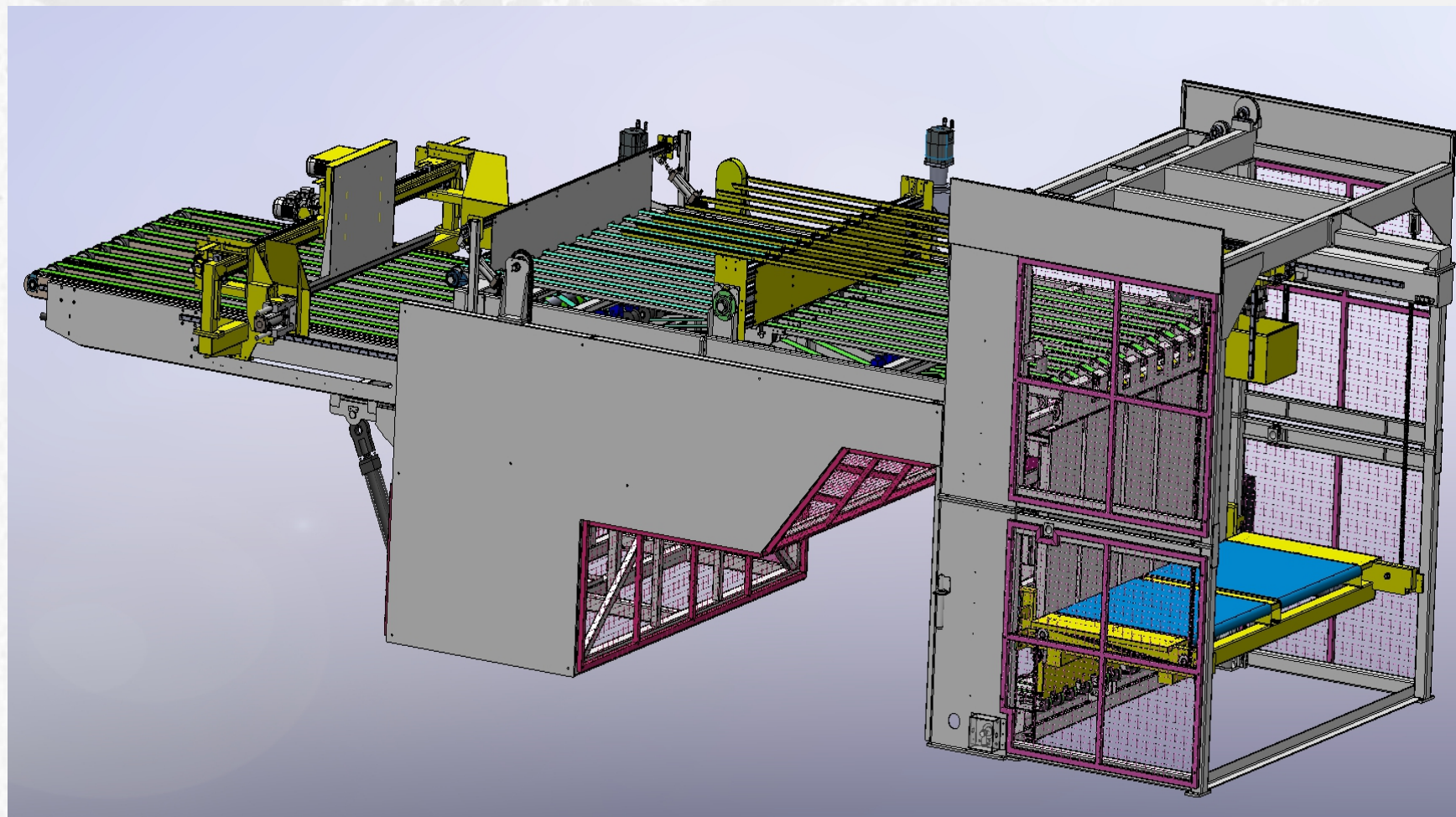
T-MF stationary automatic pre feeder



Main Parameters:

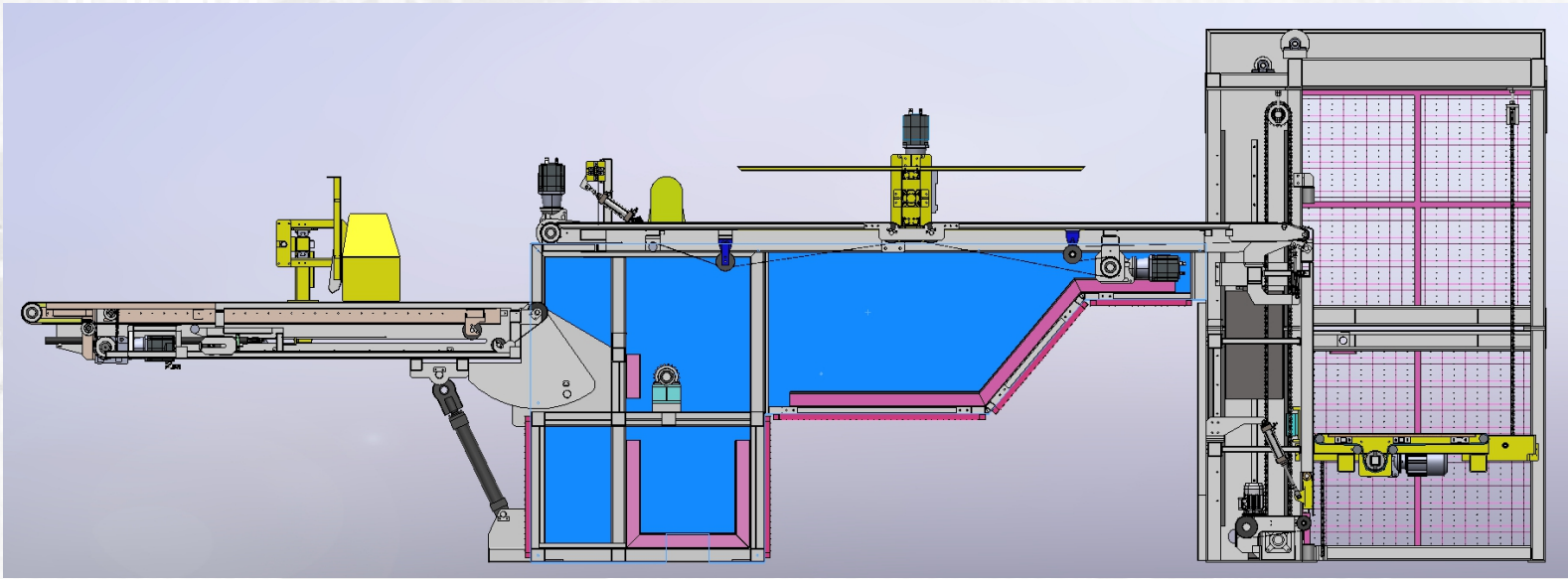
- Max height: 1700mm.
- Inline with printing machine
 - 3-ply: 350 sheets/min
 - 5-ply: 320 sheets/min
 - 7-ply: 300 sheets/min
- Max board size: 1600X2800mm.
- Min board size: 300X600mm.

T-MF Fixed Automatic Pre-feeder



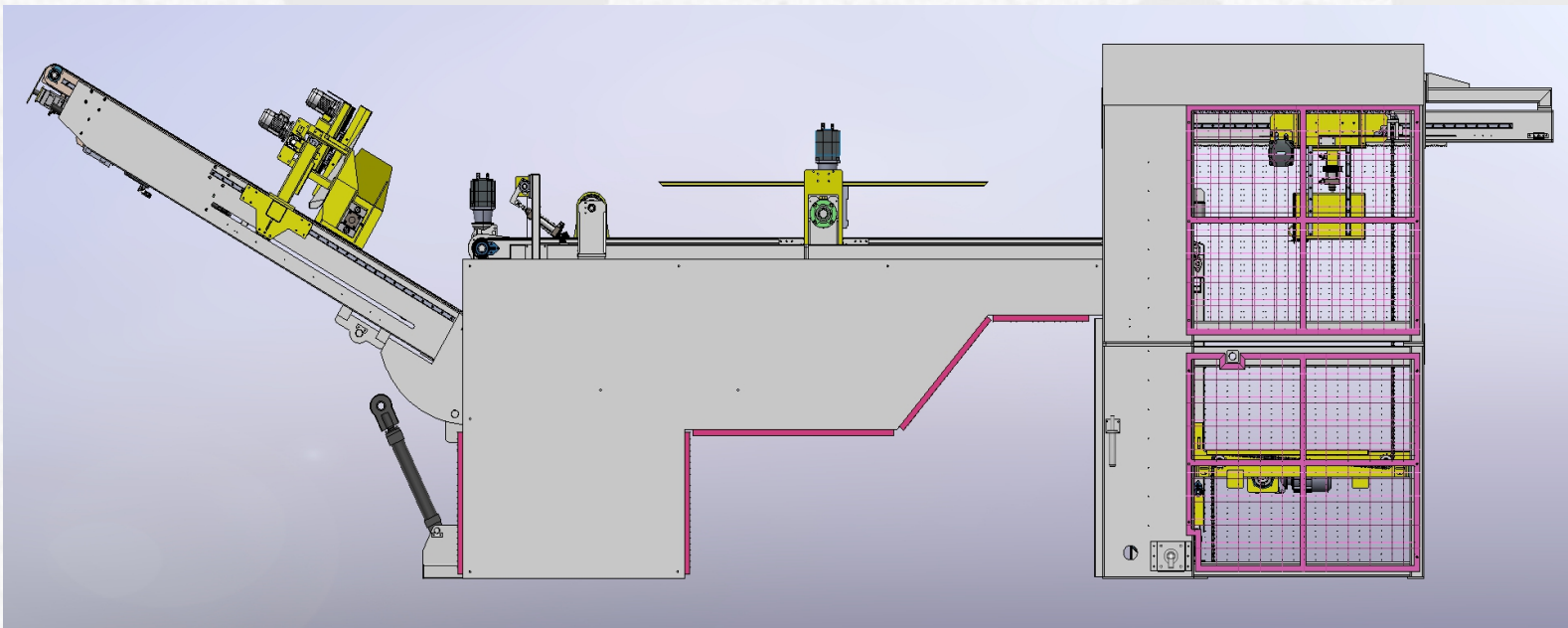
Main features:

- The whole machine control system adopts Siemens brand.
- The whole machine adopts Siemens servo motor for driving.
- Automatic paperboard turning.
- The last pad paper automatic kicked out.
- The front end is equipped with a flapping device.
- Automatic centering device (**Optional**).



Main Features:

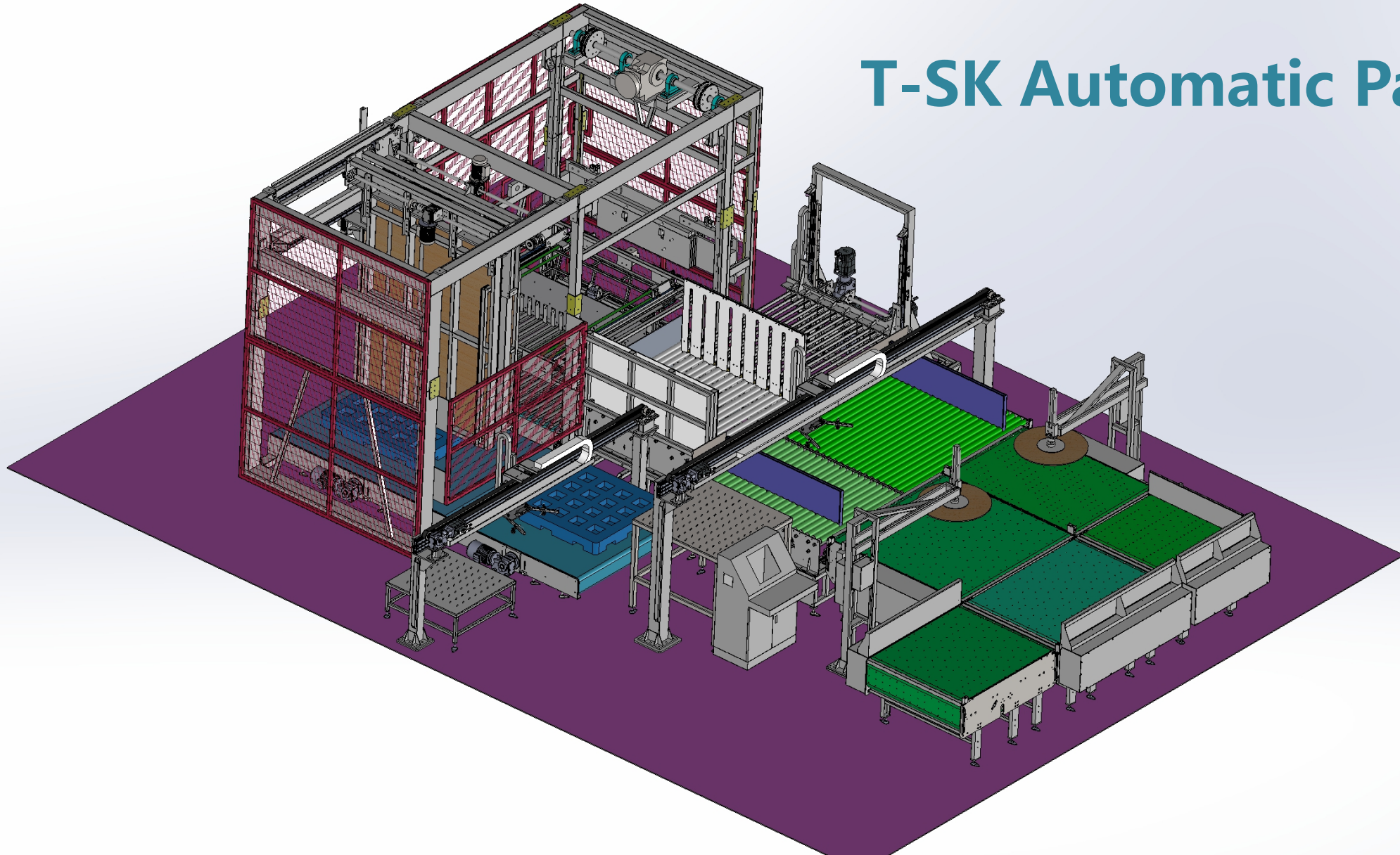
- The board feeding forearm up-down adopts hydraulic extending and lifting.

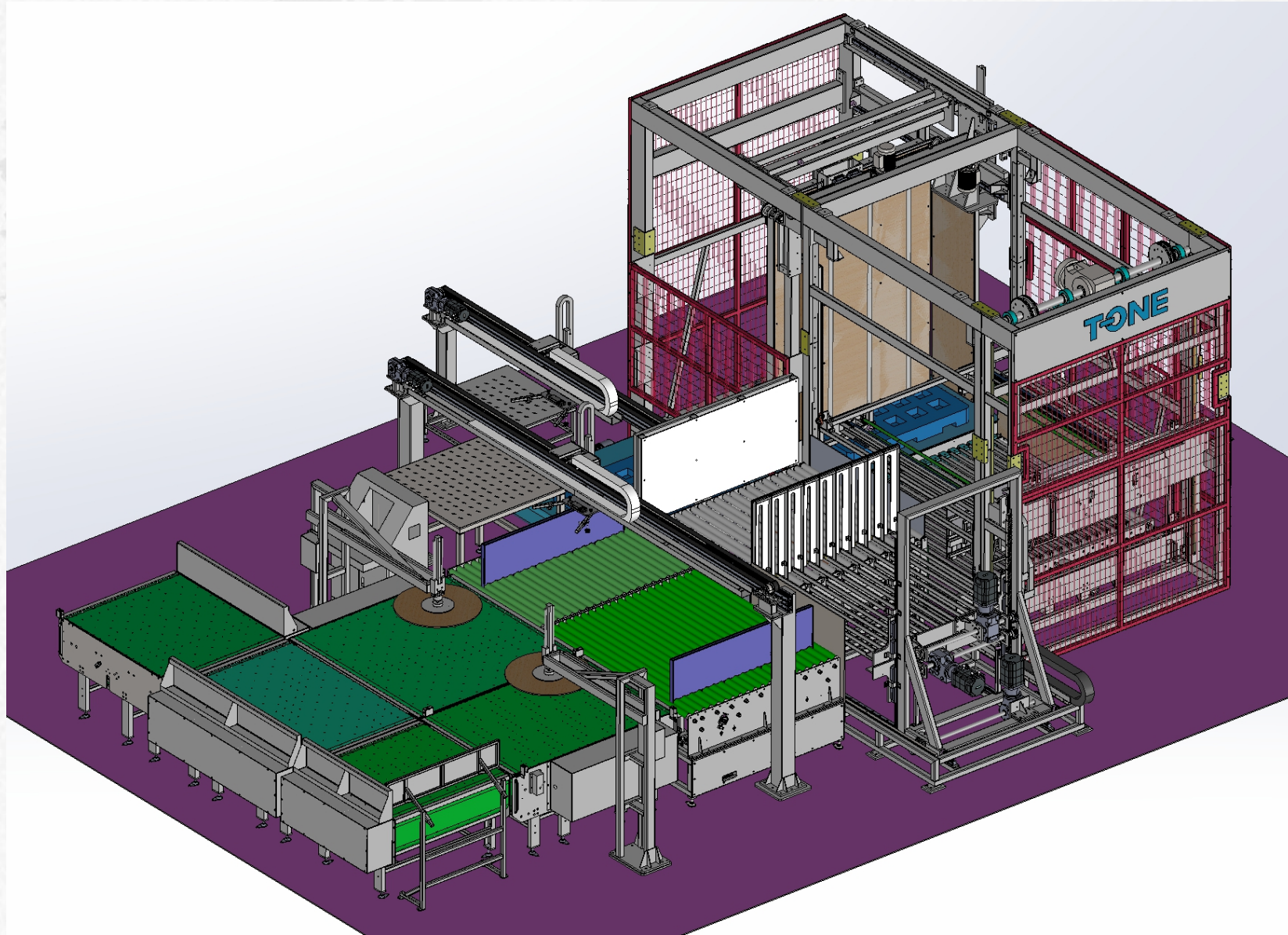


- The board feeding forearm with mechanical protection device while in maintaining.



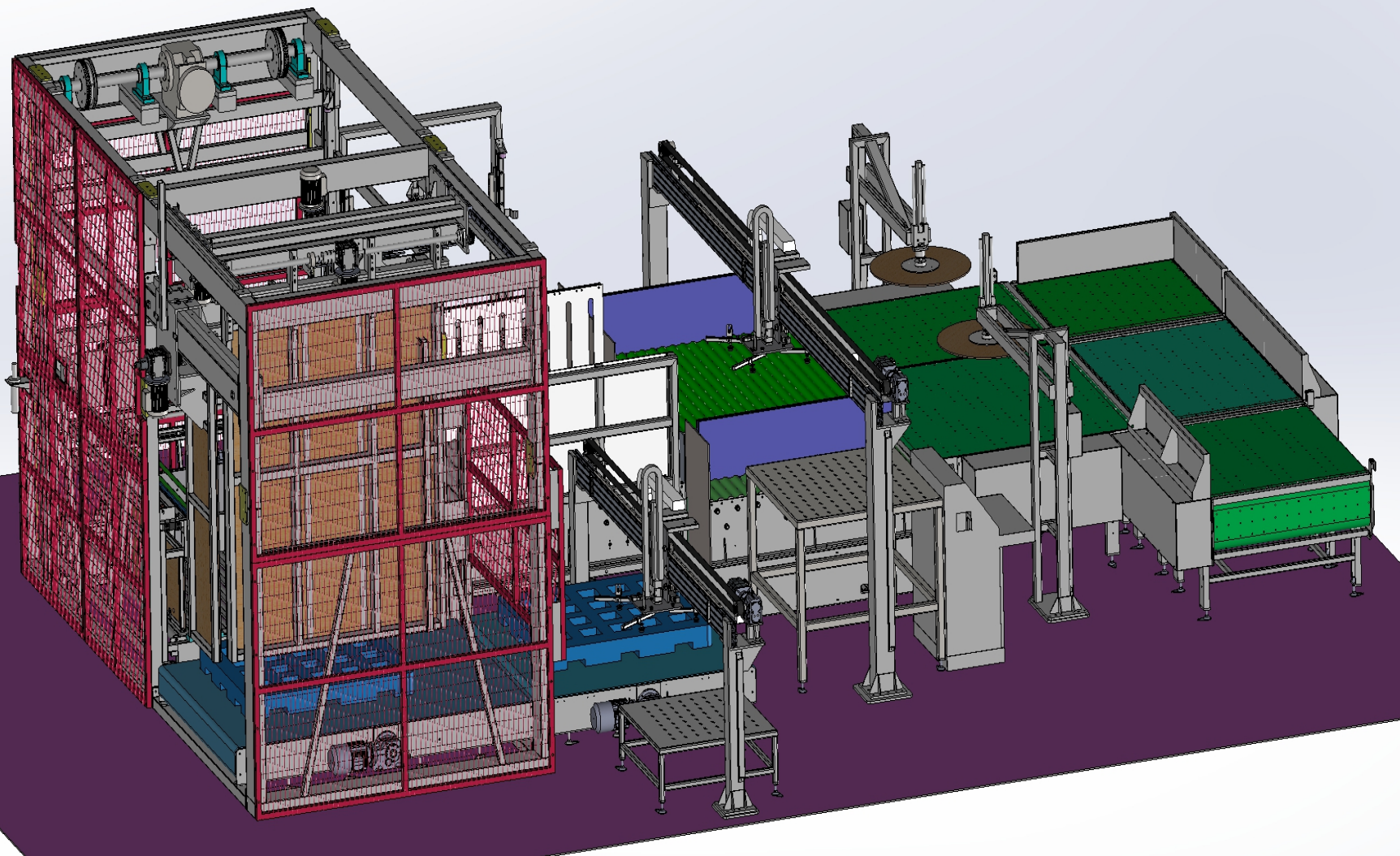
T-SK Automatic Palletizer





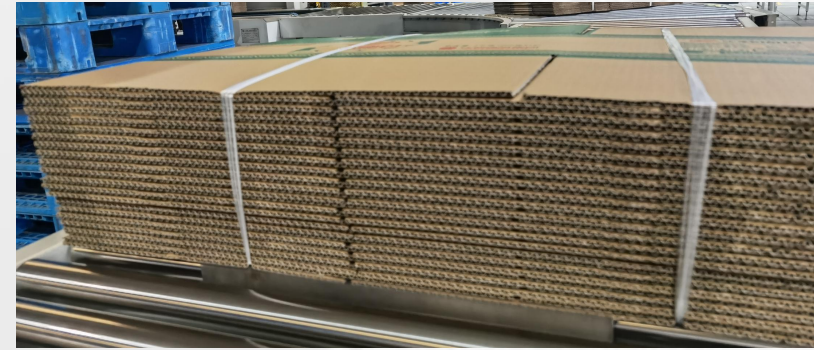
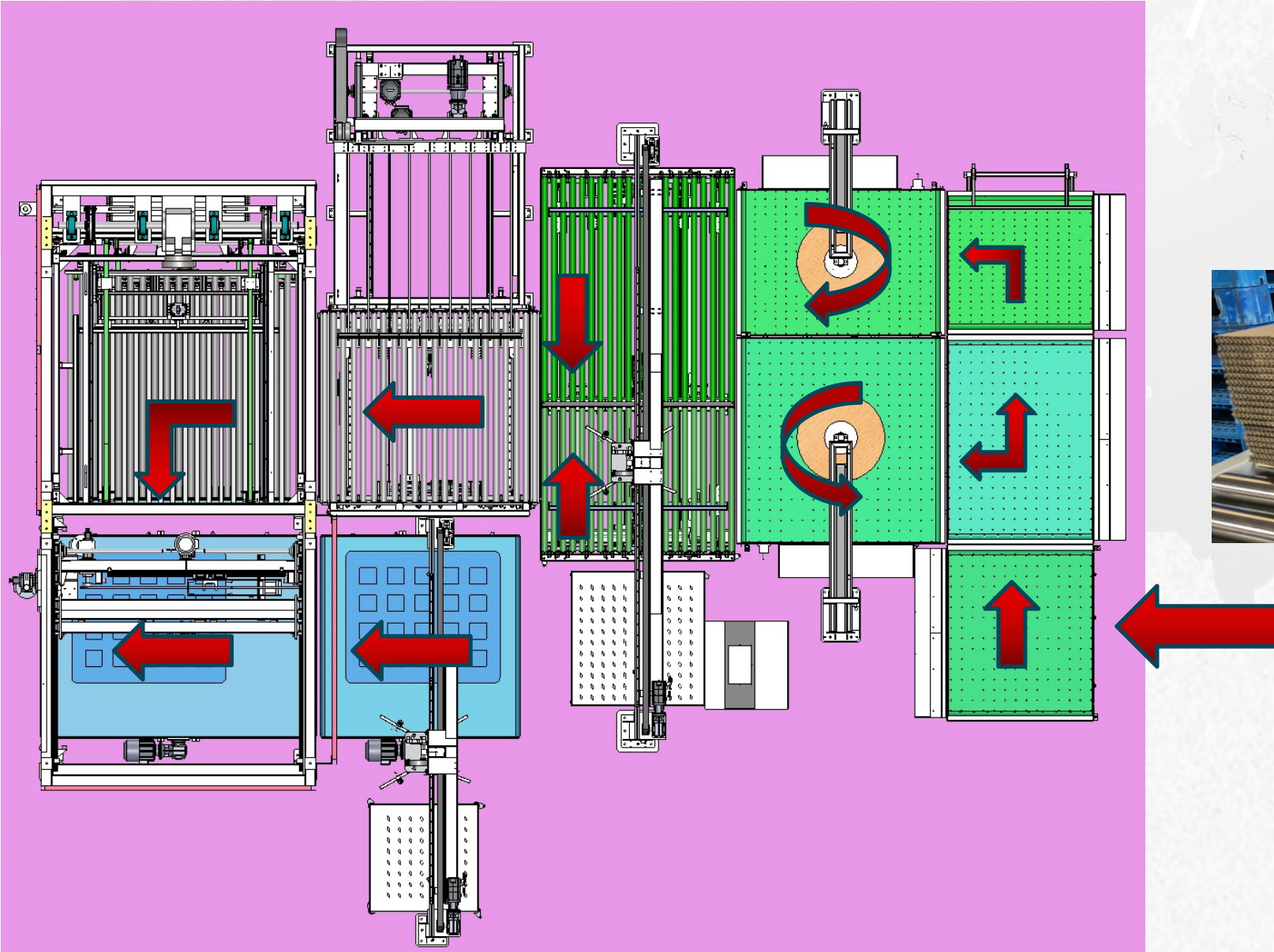
Main Parameters:

- Max speed: 30 bundles/min.
- Max bundle size: 1600x1400mm.
- Min bundle size: 300x350mm.
- Max stacking height: 1700mm.



Main Features:

- The whole machine control system adopts Siemens brand.
- The whole machine adopts Siemens servo motor for driving.
- Five turning tables for different carton types.
- Automatic robot for padding.
- Three-layer stacking section for large size carton.
- The stacking section equipped with flapping device.





Main Features:

- Automatic pallet insert(**Optional**).
- When pallet not used, then could choose robot inserting paperboard pad.



正业间升



1X1



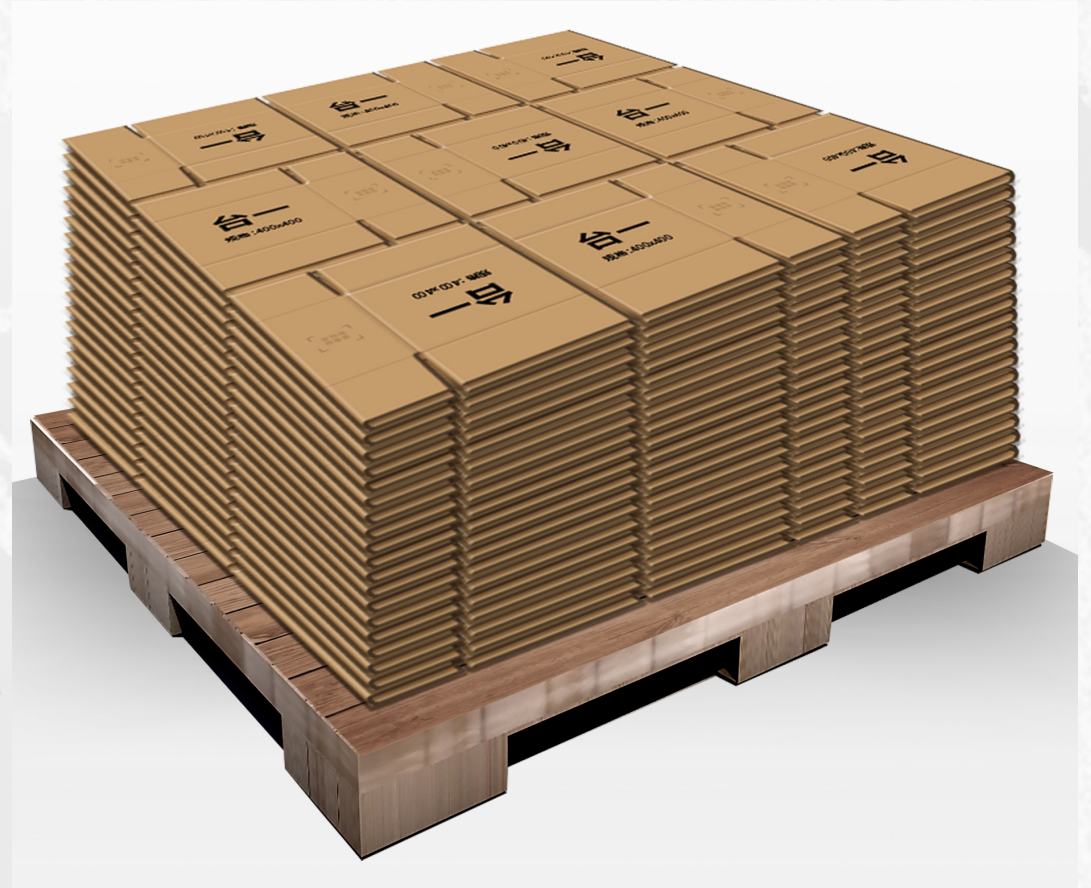
1X2



正业间介



1X3



3X3



正业(间)外



3X4



4S



合作共赢

THE END, THANKS!